

Artemide®

# Tizio

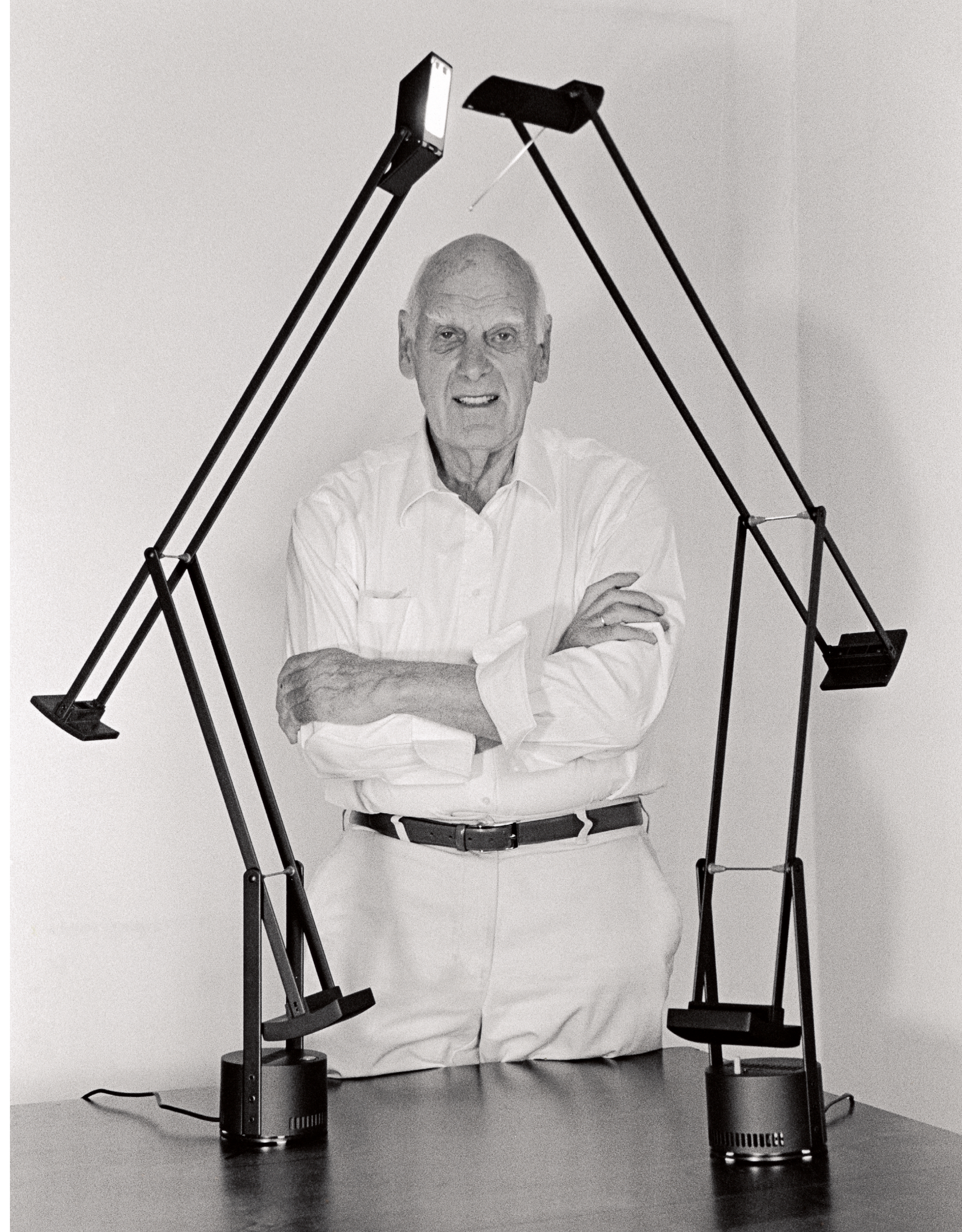
by Richard Sapper



# Tizio

Richard Sapper  
↪ 1972

Born in Germany in 1932, Richard Sapper created the Tizio desk lamp for Artemide in 1972. This now-classic design has gone on to become one of the best-selling light fixtures ever produced. A prolific designer who famously turned down Steve Jobs offer of a job at Apple, Sapper died in 2015. Over a varied career spent designing everything from cars for Fiat to IBM's first ThinkPad to multiple items for Alessi, he made a point of reducing technically- difficult design problems into concise, approachable items.





## ↗ Iconic

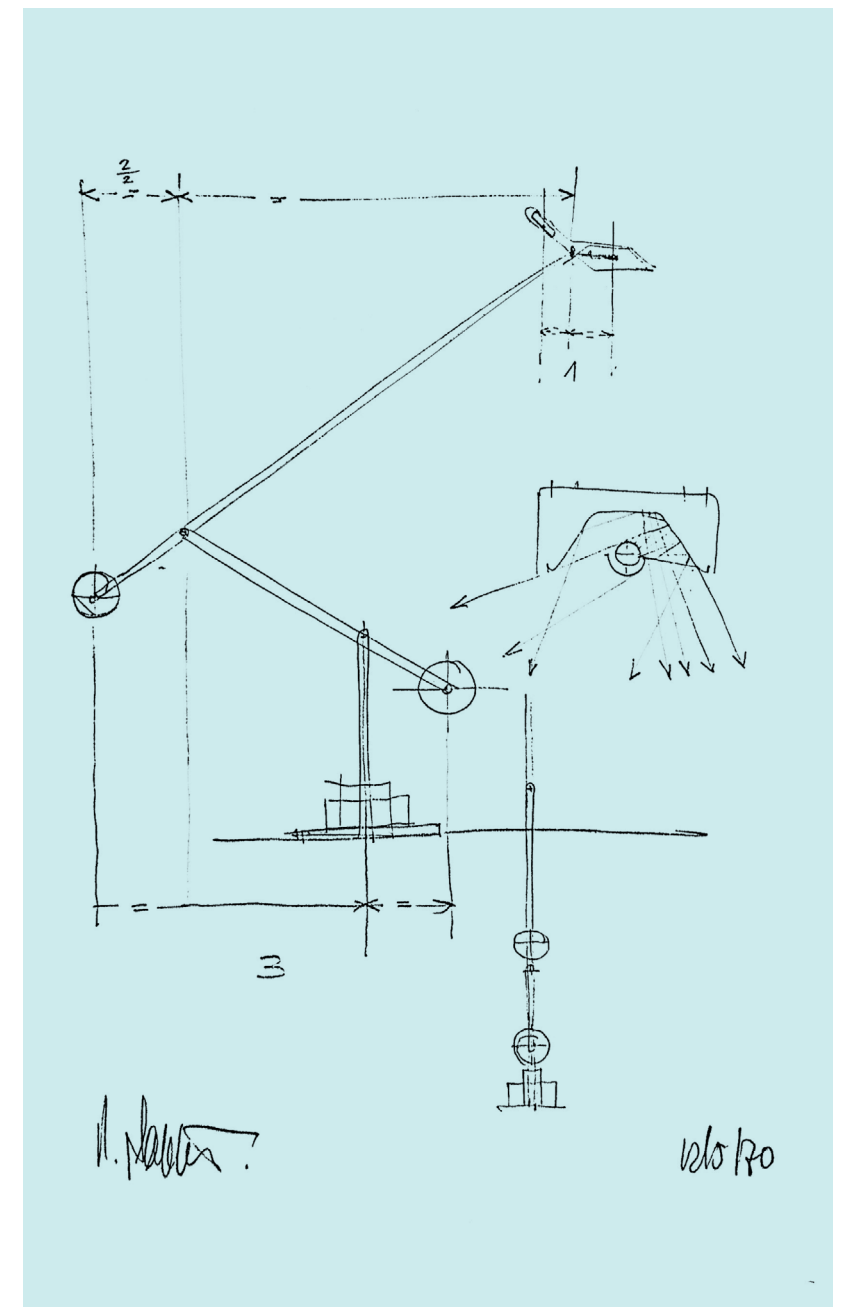
As an icon of Italian design, Tizio graces the permanent collections of The Metropolitan Museum of Art and the Museum of Modern Art in New York. It stands proud amongst the most celebrated icons of modern lighting, effortlessly blending function with style.





## ↗ Identity

Tizio identifies strongly with Artemide's Human Light philosophy that places men and the pursuit of their well being at the core of research and development.





## ↗ Visionary

Tizio was designed by industrial designer Richard Sapper in 1972. The sophisticated principal of fully adjustable balanced counterweights, lack of wires, and electrical conductor arms have made Tizio an illustrious award-winning design of the 20th century.



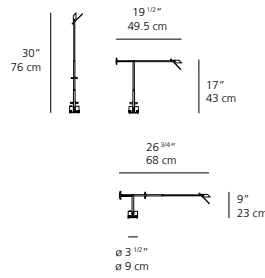
Tizio Micro Table

●  
Black

Direct  
2-intensity on/off switch



HAL	Voltage
max 20W G4	120V



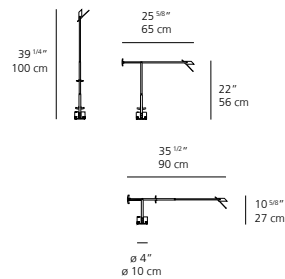
Tizio 35 Table

●  
Black

Direct  
2-intensity on/off switch



HAL	Voltage
max 35W GY6.35	120V



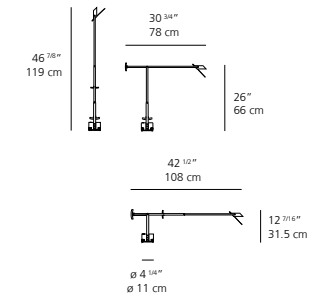
Tizio Classic Table

●  
Black

Direct  
2-intensity on/off switch



HAL	Voltage
max 50W GY6.35	120V



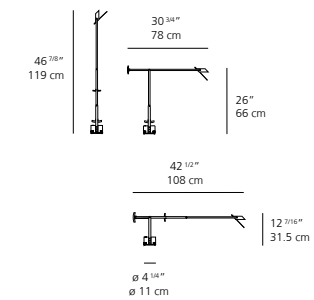
Tizio Classic LED Table

●  
Black

Direct  
touch dimmer located on base



Light Source	Voltage	Delivered Lumens	CCT	CRI
LED 9W	120V	313lm	3000K	>80







# Tizio

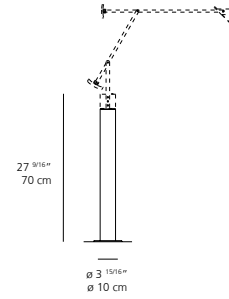
## Technical Data

### Tizio 35 Floor

●  
Black

Direct  
2-intensity on/off switch

HAL	Voltage
max 35W GY6.35	120V



# Tizio

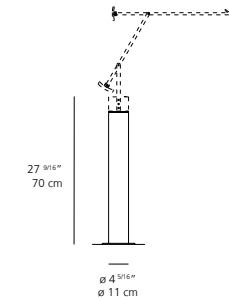
## Technical Data

### Tizio Classic Floor

●  
Black

Direct  
2-intensity on/off switch

HAL	Voltage
max 50W GY6.35	120V

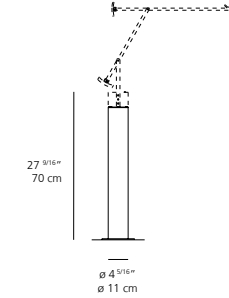


### Tizio Classic LED Floor

●  
Black

Direct  
Touch dimmer located on base

Light Source	Voltage	Delivered Lumens	CCT	CRI
LED 9W	120V	313lm	3000K	>80





**A**ll'opera, il regista ha un ruolo fondamentale. È il regista che decide il ritmo, il tempo, il suono, il colore, il movimento. È il regista che decide il punto di vista, il punto di incontro, il punto di fuga. È il regista che decide il punto di incontro, il punto di fuga, il punto di incontro, il punto di fuga. È il regista che decide il punto di incontro, il punto di fuga, il punto di incontro, il punto di fuga.

**LE OPERE GRIDANO  
GLI ARRETI SU SMARRANO  
IN UNA SE REJME  
SINFONIA DIRETTA CON  
IL FIGLIO SCURO  
I ARDITO DELL'ESPERIO**



## Artemide INC

250 Karin Lane  
Hicksville, NY 11801  
Tel. 631-694-9292  
artemide.net

## Artemide Ltd

11105 rue Renaude Lapointe  
Montréal, Québec, H1J 2T4  
Tel. 514-323-6537  
artemide.net



ISO 9001:2015



ISO 14001:2015



ISO 45001:2018



CTF STAGE2  
ISO 17025

### Artemide INC - Artemide Ltd

Si riserva la facoltà di modificare, in qualunque momento e senza preavviso, le caratteristiche tecniche degli elementi illustrati nel presente catalogo.

### Artemide INC - Artemide Ltd

Reserves right to change, at any time and without prior warning, the technical specifications of any product illustrated in this catalogue.

### Artemide INC - Artemide Ltd

Se réserve le droit de modifier, à n'importe quel moment et sans préavis, les caractéristiques techniques des éléments illustrés dans ce catalogue.

### Artemide INC - Artemide Ltd

Behält sich das recht vor jederzeit und ohne ankündigung die technischen daten der im katalog abgebildetem produkte zu ändern.

### Artemide INC - Artemide Ltd

Se reserva la facultad de modificar, en cualquier y sin aviso previo, las características técnicas de los elementos ilustrados en el presente catálogo.

For information regarding distributors and points of sale, please visit our website [artemide.net](http://artemide.net) or email : [info@artemide.net](mailto:info@artemide.net)