



Yanzi
Neri & Hu



YANZI

NERI & HU

Founded in 2004 by partners Lydon Neri and Rossana Hu, Neri&Hu Design and Research Office is an inter-disciplinary architectural design practice based in Shanghai, China with an office in London, UK. Neri&Hu work internationally providing architecture, interior, master planning, graphic and product design services. The multi-cultural staff speaks over 30 different languages, reinforcing a core vision for the practice: to respond to a global worldview, incorporating overlapping design disciplines for a new paradigm in architecture. Neri&Hu believe strongly in research as a design tool.

DESIGNERS

BALANCE

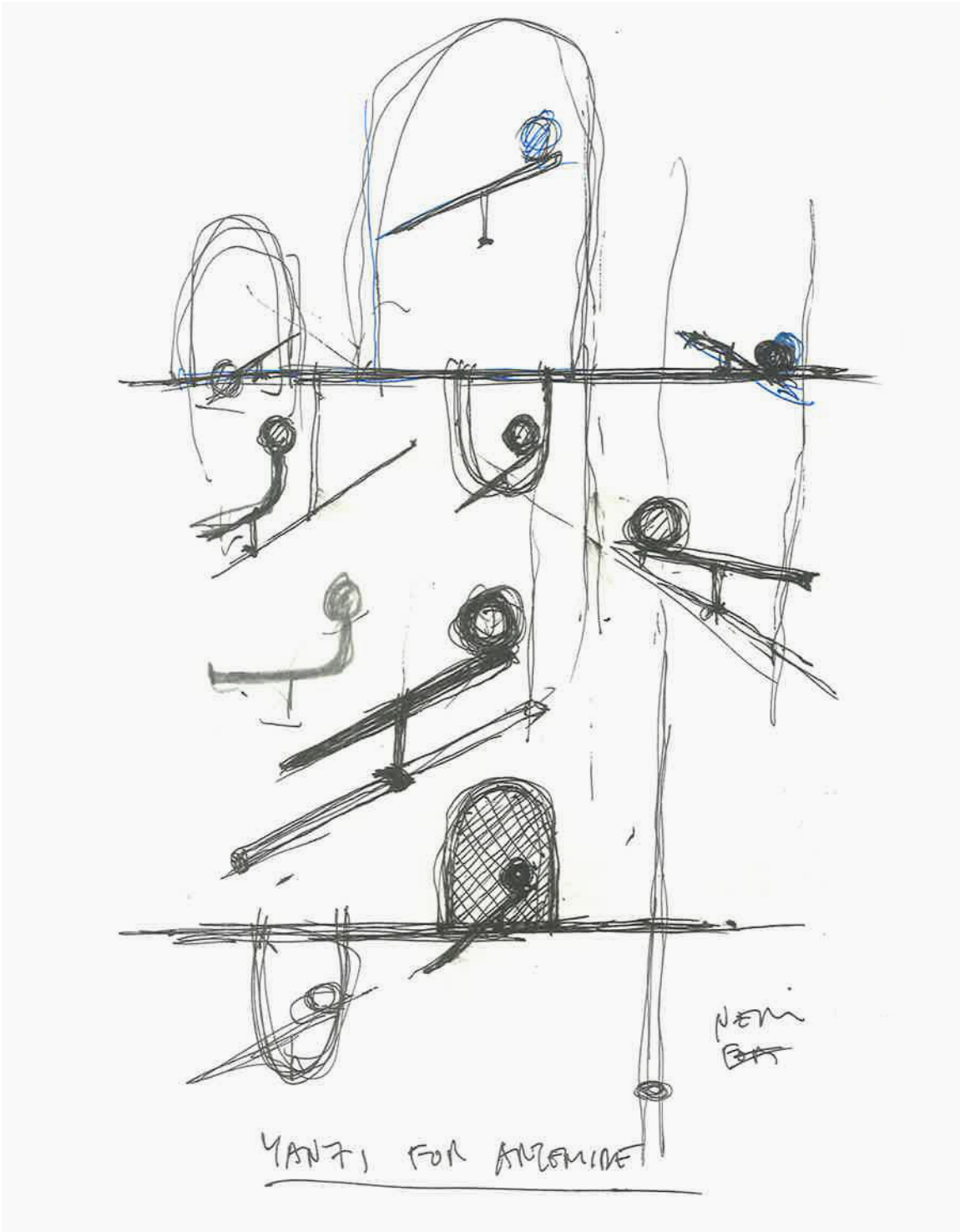
Yanzi is a lightweight composition of balanced structures, with handblown glass spheres and brass elements that perch on aluminum branches.





INSPIRATION

The inspiration for Yanzi came from the image of birds perching on scaffolding. The light source resembles a bird with a brass body and glass head. Neri&Hu focused on the interaction of material, shape, and light in its design.





CONTEMPORARY

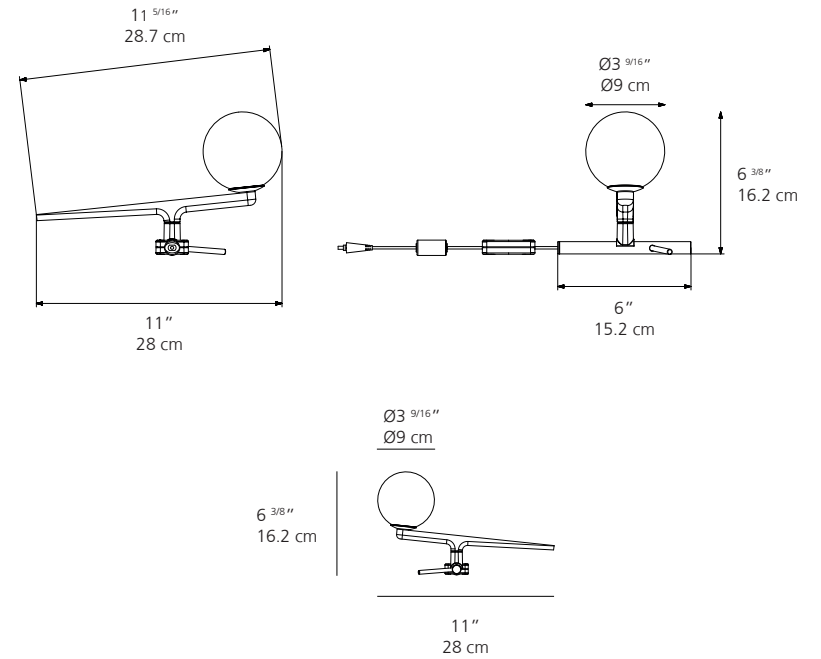
Yanzi's clean lines and elegant materials add a chic and modern design, with a playful edge, to any space.



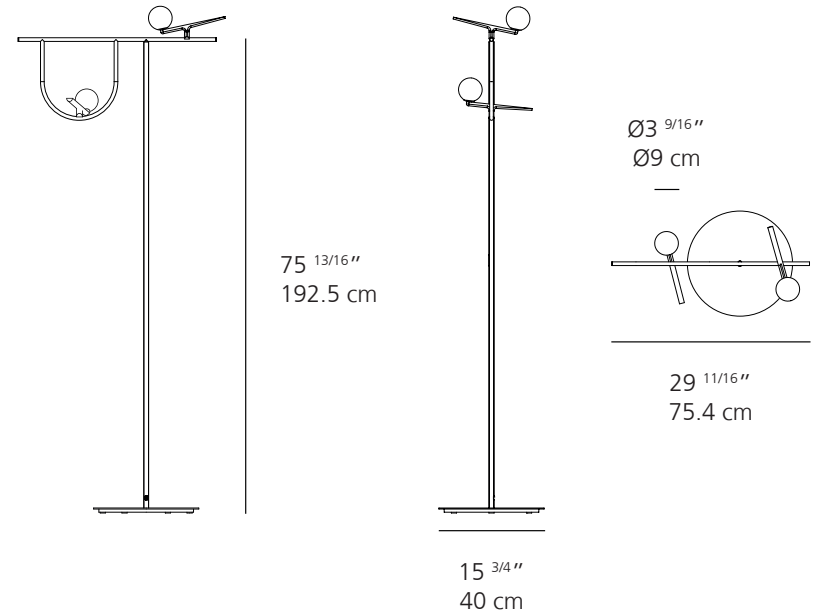
YANZI TABLE



TECHNICAL DATA



EMISSION	Diffused
LIGHT SOURCE	LED 6.9W 3000K > 90CRI LED Array Integrated light source
DIMMING FEATURE	Dimmable (on cord)
DELIVERED LUMENS	500lm
FINISH	<ul style="list-style-type: none"> ○ Glass white (diffuser) ● Brushed brass (swallows) ● Black (stem & base)
CERTIFICATIONS	IP20

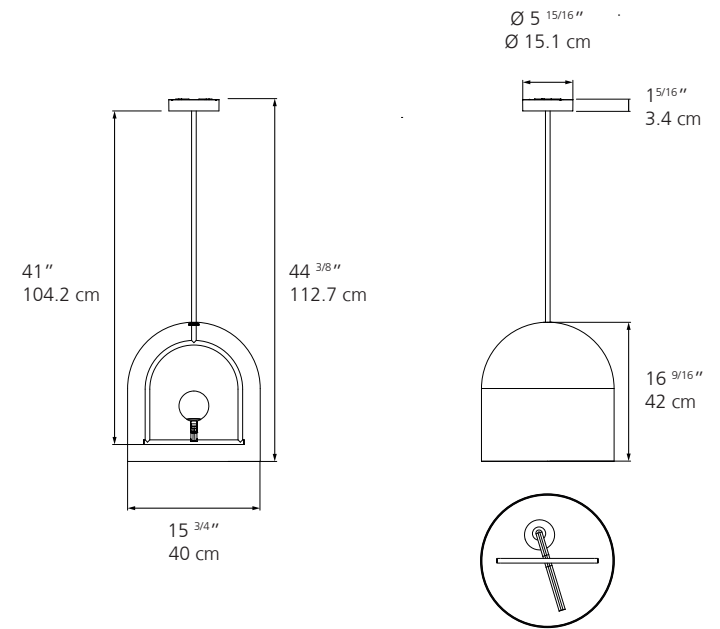


EMISSION	Diffused
LIGHT SOURCE	LED 14W 3000K > 90CRI LED Array
DIMMING FEATURE	Dimmable (on cord)
DELIVERED LUMENS	841lm
FINISH	○ Glass white (diffuser) ● Brushed brass (swallows) ● Black (stem & base)
CERTIFICATIONS	IP20

YANZI CLASSIC SUSPENSION



TECHNICAL DATA

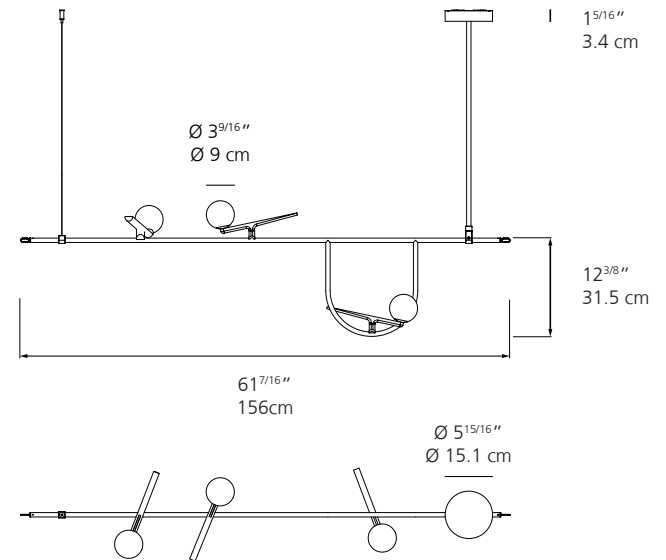


EMISSION	Diffused
LIGHT SOURCE	LED 8W 3000K > 90CRI LED Array Integrated light source
DIMMING FEATURE	Dimmable 2-wire
DELIVERED LUMENS	640,41lm
FINISH	<ul style="list-style-type: none"> ○ Glass white (diffuser) ● Brushed brass (swallows) ● Black (stem & base)
CERTIFICATIONS	c.UL.us listed, IP20

YANZI 1 SUSPENSION



TECHNICAL DATA

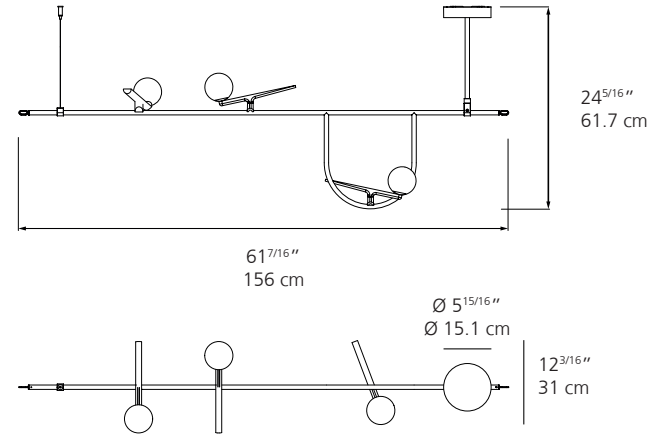


EMISSION	Diffused
LIGHT SOURCE	LED 3x9W 3000K > 90CRI Integrated light source
DIMMING FEATURE	Driver is compatible to both 2-wire dimming and 0-10V dimming options
DELIVERED LUMENS	2122lm
FINISH	○ Glass white (diffuser) ● Brushed brass (swallows) ● Black (stem & base)
CERTIFICATIONS	c.UL.us listed, IP20

YANZI SC1 SUSPENSION



TECHNICAL DATA



EMISSION	Diffused
LIGHT SOURCE	LED 3x9W 3000K > 90CRI Integrated light source
DIMMING FEATURE	Driver is compatible to both 2-wire dimming and 0-10V dimming options
DELIVERED LUMENS	2122lm
FINISH	<ul style="list-style-type: none"> ○ Glass white (diffuser) ● Brushed brass (swallows) ● Black (stem & base)
CERTIFICATIONS	c.UL.us listed, IP20





27

YANZI



28

NERI & HU





UNITED STATES HEADQUARTERS

Artemide Inc.

250 Karin Lane

Hicksville, NY 11801

T. 631-694-9292

Toll Free 1-877-Art-9111

email: infousa@artemide.net

CANADIAN HEAD OFFICE

Artemide Canada Ltd.

11105, rue Renaude Lapointe

Montréal, QC H1J 2T4

T. 514-323-6537

Toll Free 1-888-777-2783

email: infocanada@artemide.net

Artemide[®]

For retail sales contact information, please visit

www.artemide.net/store-locator

For contract sales contact information, please visit

www.artemide.net/sales-representative