



## **Febe**

Ernesto Gismondi  
Daniele Moioli



## ERNESTO GISMONDI

The father of Artemide, Ernesto Gismondi propelled his involvement in the Memphis Design movement into profoundly revolutionizing the field of lighting design in both Italy and the world.

Born on Christmas Day, Gismondi began his career as an Aeronautical Engineer. Bringing industrial concepts, materials and finishes into lighting designs for both domestic and public space underlines Gismondi's adherence to meaningful innovation. Recognizing his international contributions to the field of lighting manufacture, he was awarded a Compasso d'Oro lifetime achievement award in 1995.

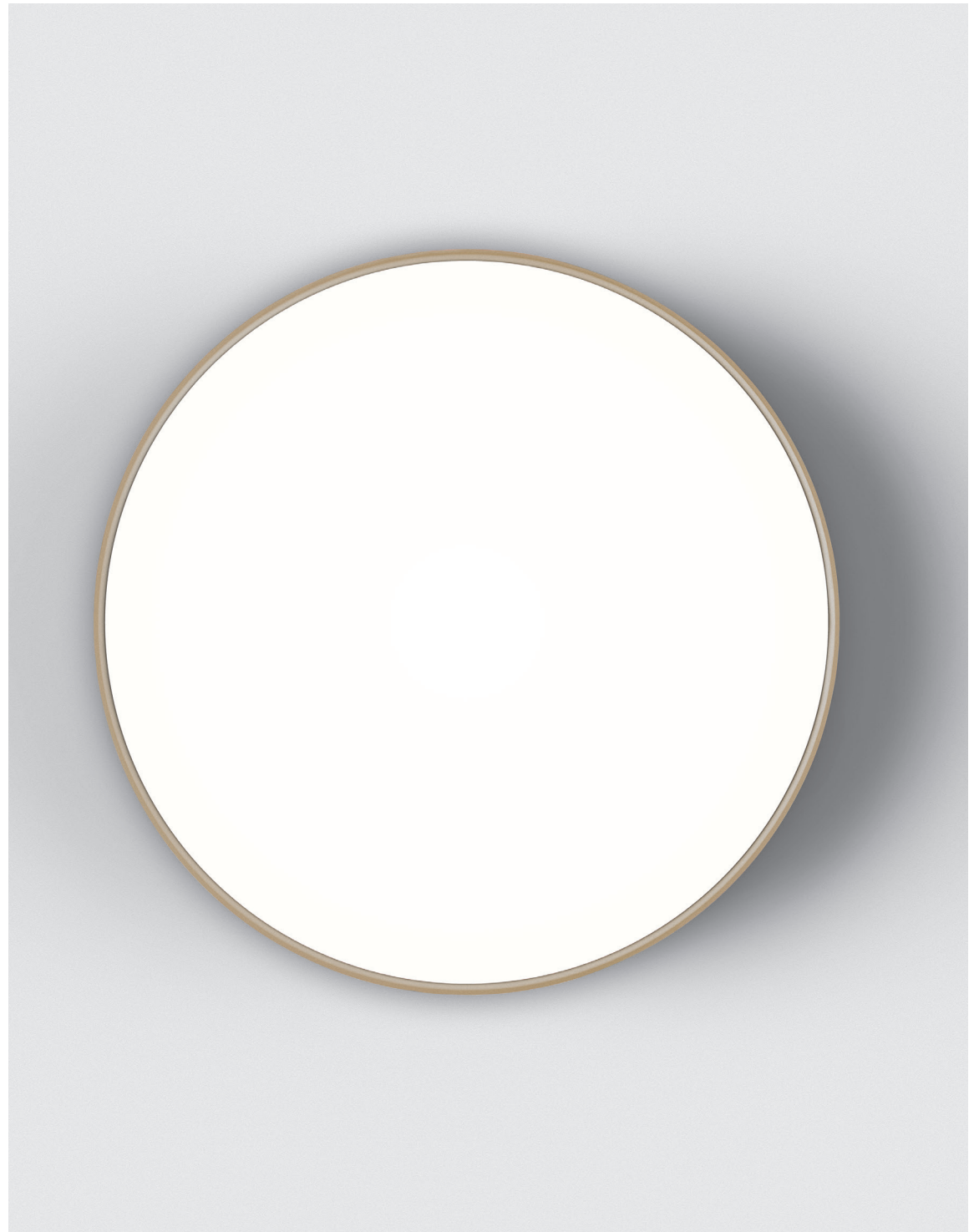


## DANIELE MOIOLI

Moioli has been working with Artemide for over 20 years, and is the current Design Division Director. He has designed several products with Michele de Lucchi, including the Logico Garden.

# MINIMAL

Febe's minimal design ensures maximum LED light performance strong enough to light up an entire room. Its simple yet strong presence can fit any space and is especially suited for the home.





# ACCENT

A splash of orange, turquoise or dove grey is visible around the side of the colored frame, adding a subtle design accent.



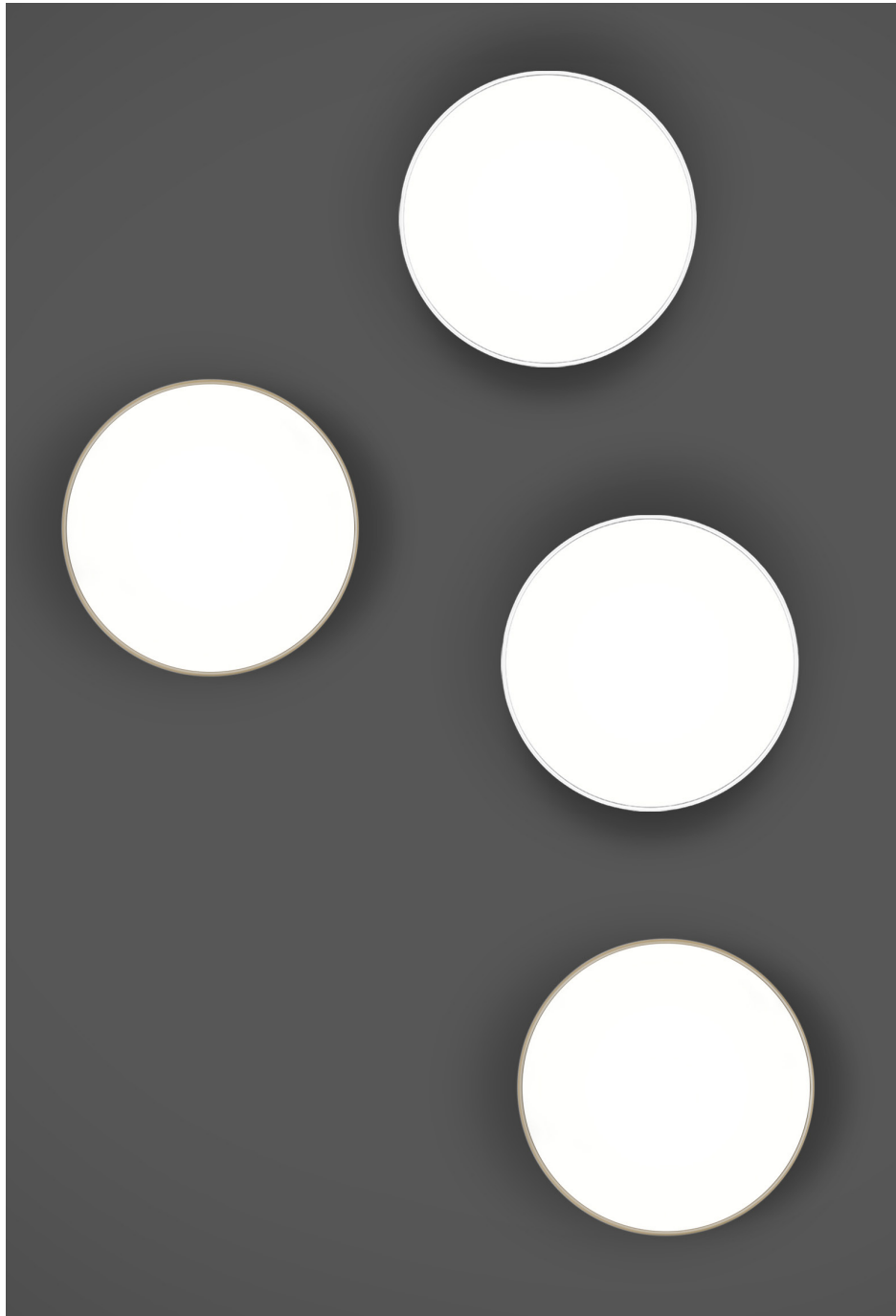


## OPTICS

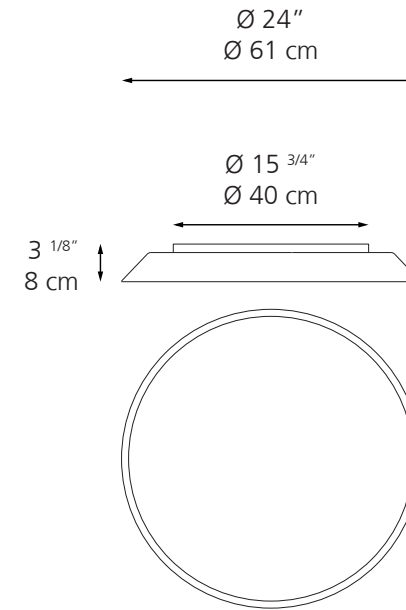
An optical engine produces a uniform and comfortable light emission, with lenses on each LED that widen the emission immediately near the source.



# Febe Wall/Ceiling



# Technical Data



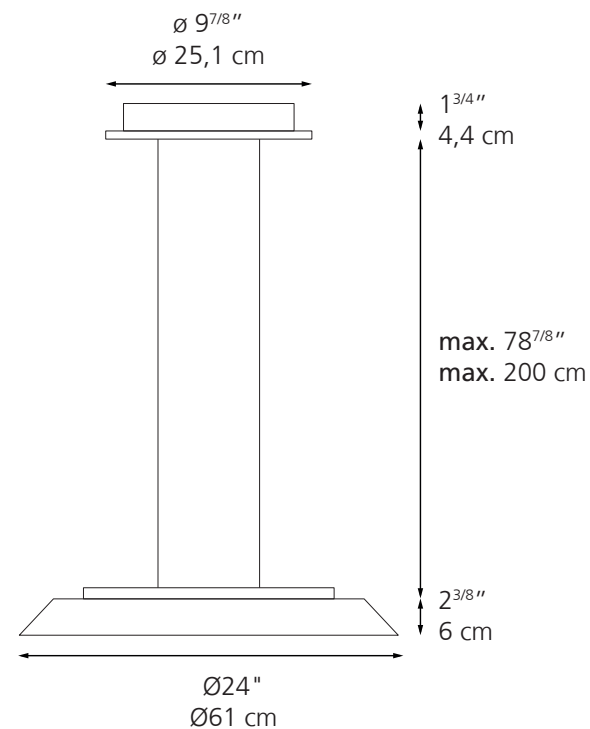
<b>MATERIALS</b>	Body in injection-molded plastic. Diffuser in injection-molded polycarbonate.
<b>EMISSION</b>	Direct
<b>LIGHT SOURCE</b>	4x25.2W LED Array
<b>TOTAL POWER</b>	29.4W
<b>DIMMING FEATURE</b>	Dimmable 2-Wire
<b>DELIVERED LUMENS</b>	2238lm
<b>CRI</b>	>90
<b>CCT</b>	2700K or 3000K
<b>FINISH</b>	○ White ● Dove Grey
<b>CERTIFICATIONS</b>	c.UL.us listed, IP20, ADA compliant



# Febe Suspension



# Technical Data



<b>MATERIALS</b>	Body in injection-molded plastic. Diffuser in injection-molded polycarbonate.
<b>EMISSION</b>	Direct
<b>LIGHT SOURCE</b>	4x25.2W LED Array
<b>TOTAL POWER</b>	29.4W
<b>DIMMING FEATURE</b>	Dimmable 2-Wire
<b>DELIVERED LUMENS</b>	2238lm
<b>CRI</b>	>90
<b>CCT</b>	2700K or 3000K
<b>FINISH</b>	<input type="radio"/> White <input checked="" type="radio"/> Dove grey
<b>CERTIFICATIONS</b>	c.UL.us listed, IP20





### UNITED STATES HEADQUARTERS

Artemide Inc.

250 Karin Lane

Hicksville, NY 11801

T. 631-694-9292

**Toll Free** 1-877-Art-9111

**email:** infousa@artemide.net

### CANADIAN HEAD OFFICE

Artemide Canada Ltd.

11105, rue Renaude Lapointe

Montréal, QC H1J 2T4

T. 514-323-6537

**Toll Free** 1-888-777-2783

**email:** infocanada@artemide.net

**Artemide**<sup>®</sup>

For retail sales contact information, please visit

[www.artemide.net/store-locator](http://www.artemide.net/store-locator)

For contract sales contact information, please visit

[www.artemide.net/sales-representative](http://www.artemide.net/sales-representative)