



Pipe
Herzog & De Meuron

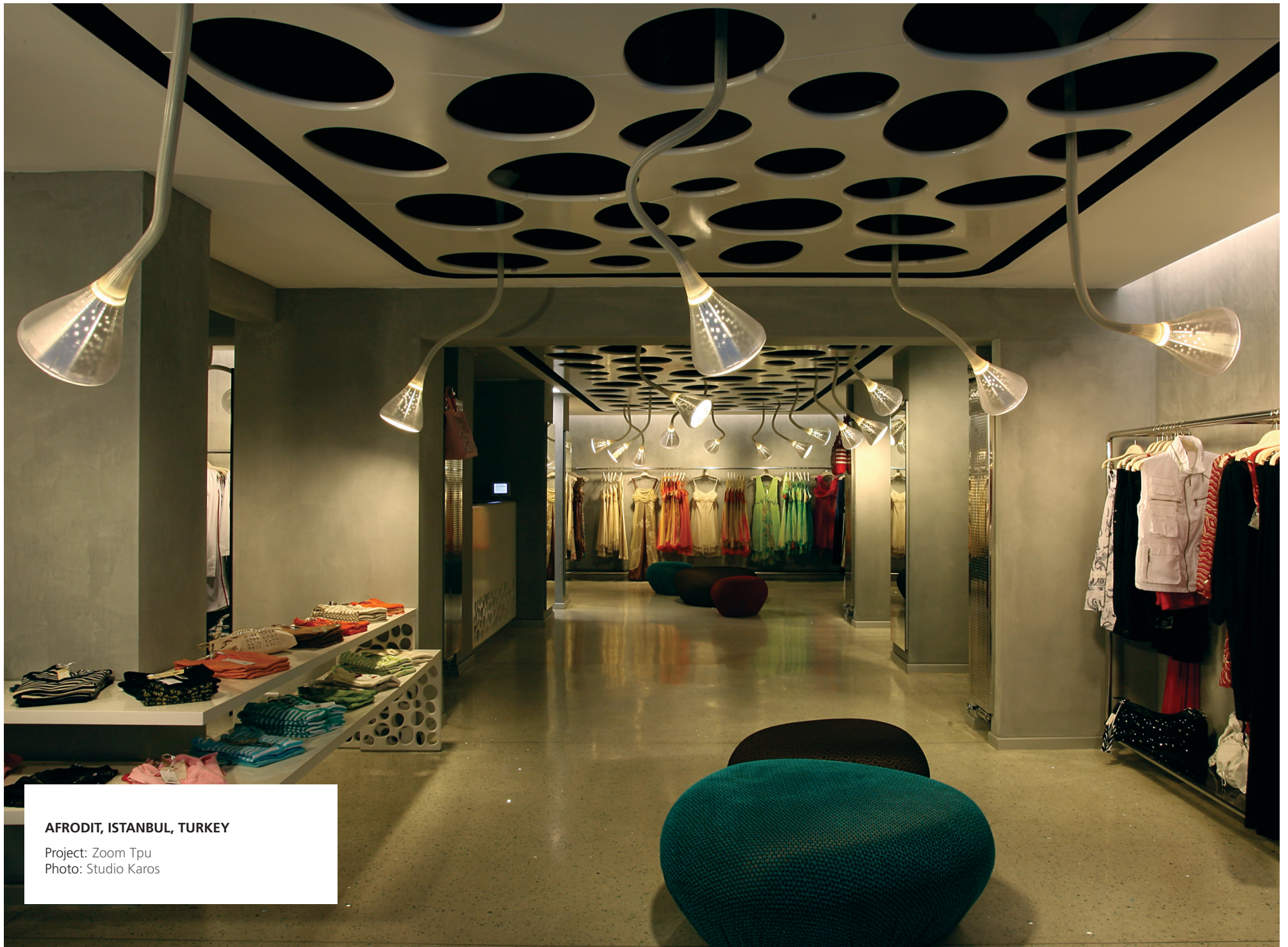


HERZOG & DE MEURON

Jacques Herzog and Pierre de Meuron, established their practice in 1978 in Basel, Switzerland. Now numbering close to 500 collaborators with offices worldwide, the partnership has designed award-winning spaces for cultural organizations, hotels, museums, residences and sports stadiums.

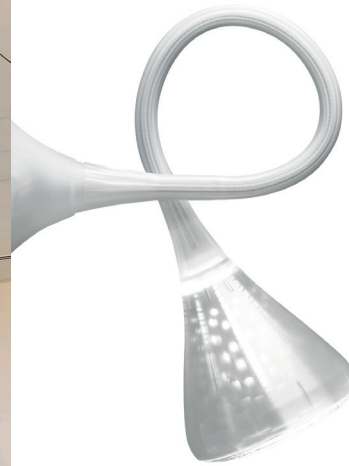
Known for transforming traditional architectural materials through innovative treatment and complex geometric expression yet retaining a focus on the essentials of design, among their best-known projects are The Tate Modern, Beijing's Olympic Stadium, Prada Tokyo and Miami's 1111 Lincoln Road.

Amongst other awards, they are the recipients, in 2001, of The Pritzker Architectural Prize.



AFRODIT, ISTANBUL, TURKEY

Project: Zoom Tpu
Photo: Studio Karos



FLEXIBILITY

The Pipe luminaire family available in floor, wall, ceiling, and suspension embodies the full functionality of a broad range of movement and flexibility, featuring a fully adjustable upper stem and rotatable diffuser. The floor luminaire features an incorporated dimmer switch.

**CISCO SYSTEM,
VIMERCATE, ITALY**

Project: Progetto CMR
Photo: Beppe Raso



WHIMSICAL

Pipe's undulating form inspires a whimsical atmosphere with its steel base coat-ed with a silicone, "soft touch" sheath. Its perforated diffuser in transparent poly-carbonate with rubber-effect coat, and internal reflector create pleasantly sheer ambient lighting.

**ESKIS RESTAURANT,
LYON, FRANCE**

Project: Fabrice Bolenor
Photo: Guillaume Perret



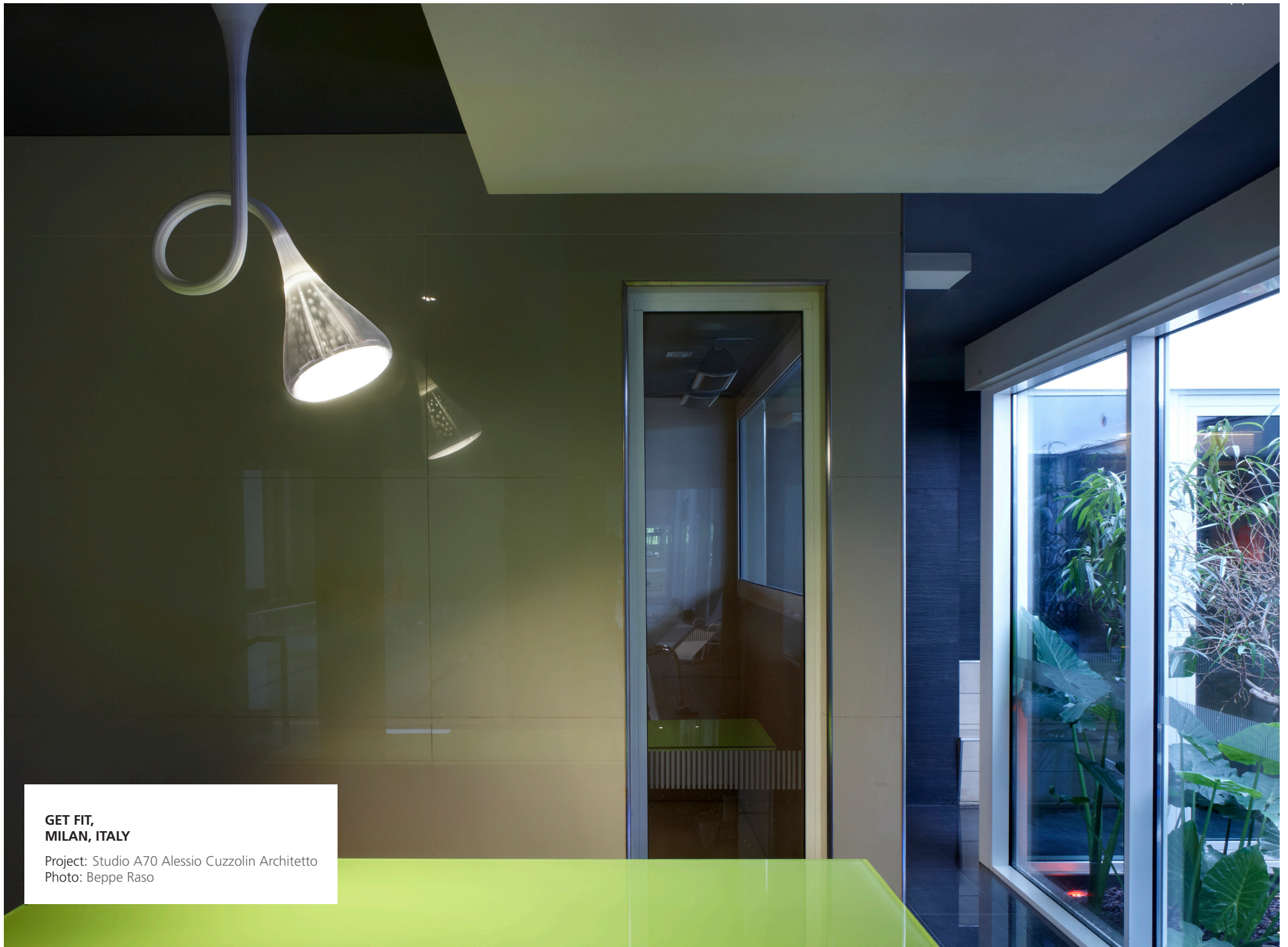
REIMAGINED

Pipe has been reimagined in LED, to adapt to today's standards of intelligent, eco-friendly, and energy efficient lighting.

**AVATON HOTEL & SPA,
SANTORINI, GREECE**

Project: Katerina Vasileiadou, Annet Papadimitrou
Photo: Studio Karos





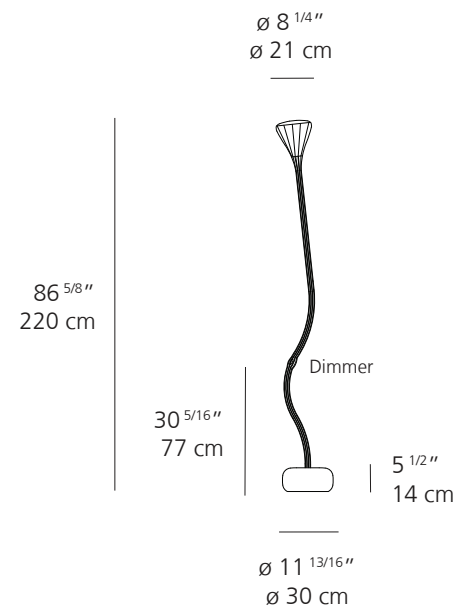
**GET FIT,
MILAN, ITALY**

Project: Studio A70 Alessio Cuzzolin Architetto
Photo: Beppe Raso

Pipe Floor



Technical data



MATERIALS

Steel base "soft touch" effect painted.

Stem covered by a natural platinum silicone sheath (anti-yellowing).

Diffuser in transparent polycarbonate with rubber-effect coat; transparent lens; internal reflector made of specular with random perforations.

EMISSION

Adjustable direct or indirect diffused

LIGHT SOURCE

LED
27W 2700K >90CRI

DIMMING FEATURE

Touch dimmer on stem

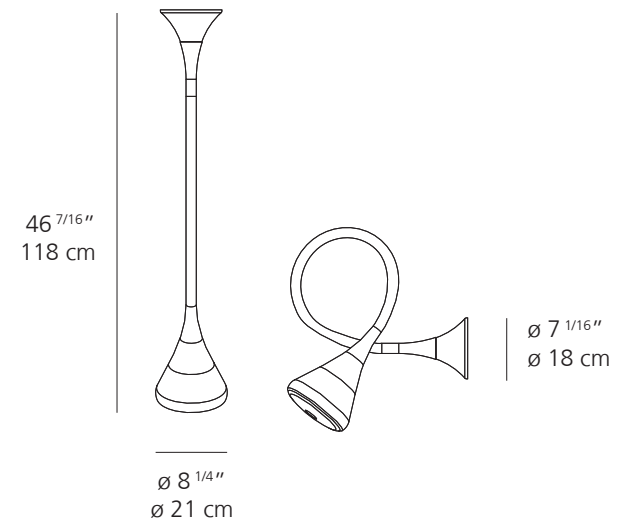
FINISH

○ Standard

Pipe Wall/Ceiling



Technical data



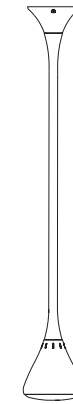
MATERIALS	Flexible painted steel structure, covered with a natural anti-yellowing silicone case.
EMISSION	Adjustable direct or indirect diffused
LIGHT SOURCE	LED 27W 2700K >90CRI
DIMMING FEATURE	Dimmable
FINISH	○ Standard
CERTIFICATIONS	c.UL.us listed

Pipe Suspension



Technical data

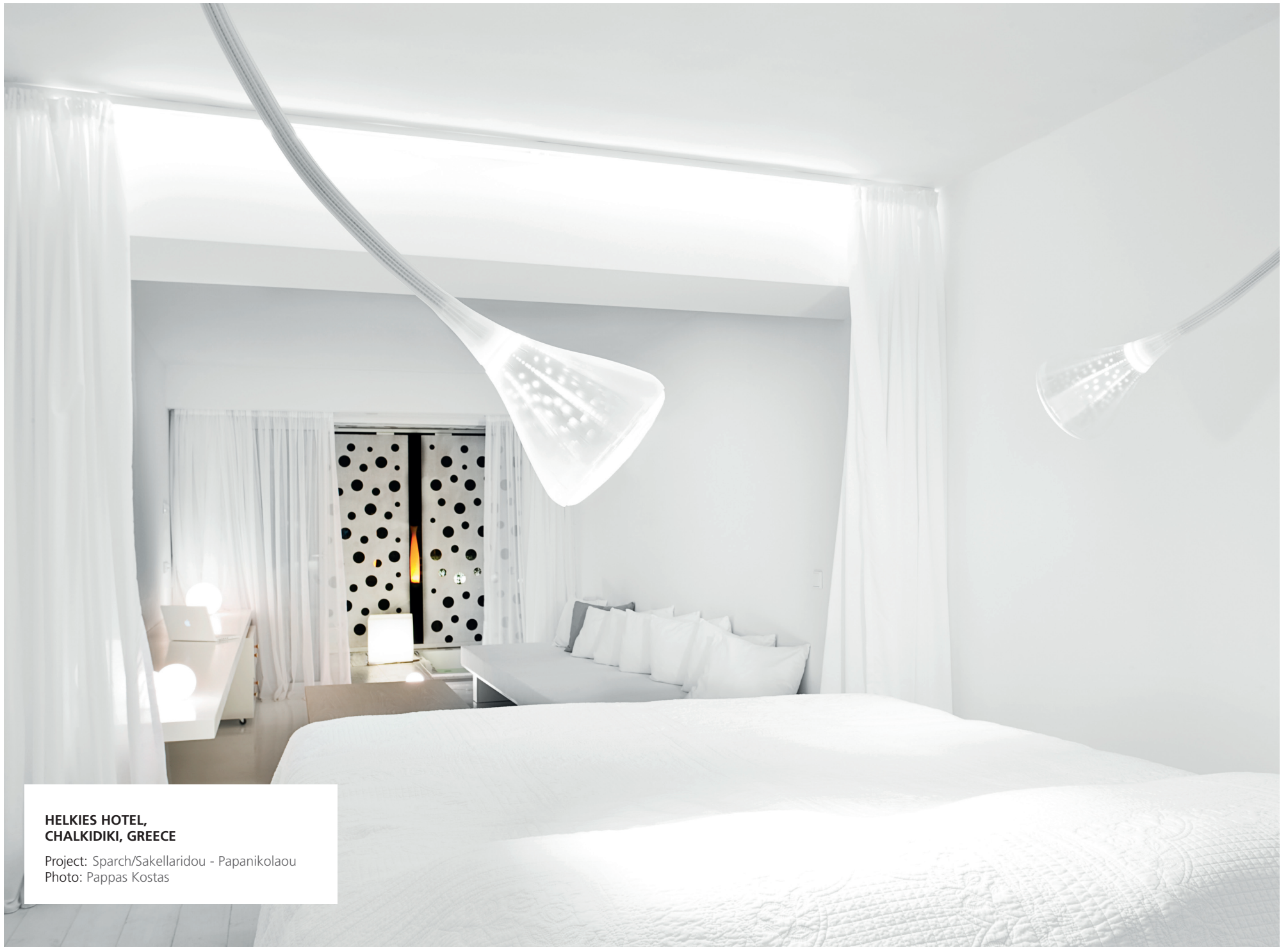
Ø 7 1/8"
Ø 18 cm



54"
138 cm

Ø 8 1/4"
Ø 21 cm

MATERIALS	Flexible painted steel structure, covered with a natural anti-yellowing silicone case.
EMISSION	Adjustable direct or indirect diffused
LIGHT SOURCE	LED 27W 2700K >90CRI
DIMMING FEATURE	Dimmable
FINISH	○ Standard
CERTIFICATIONS	c.UL.us listed



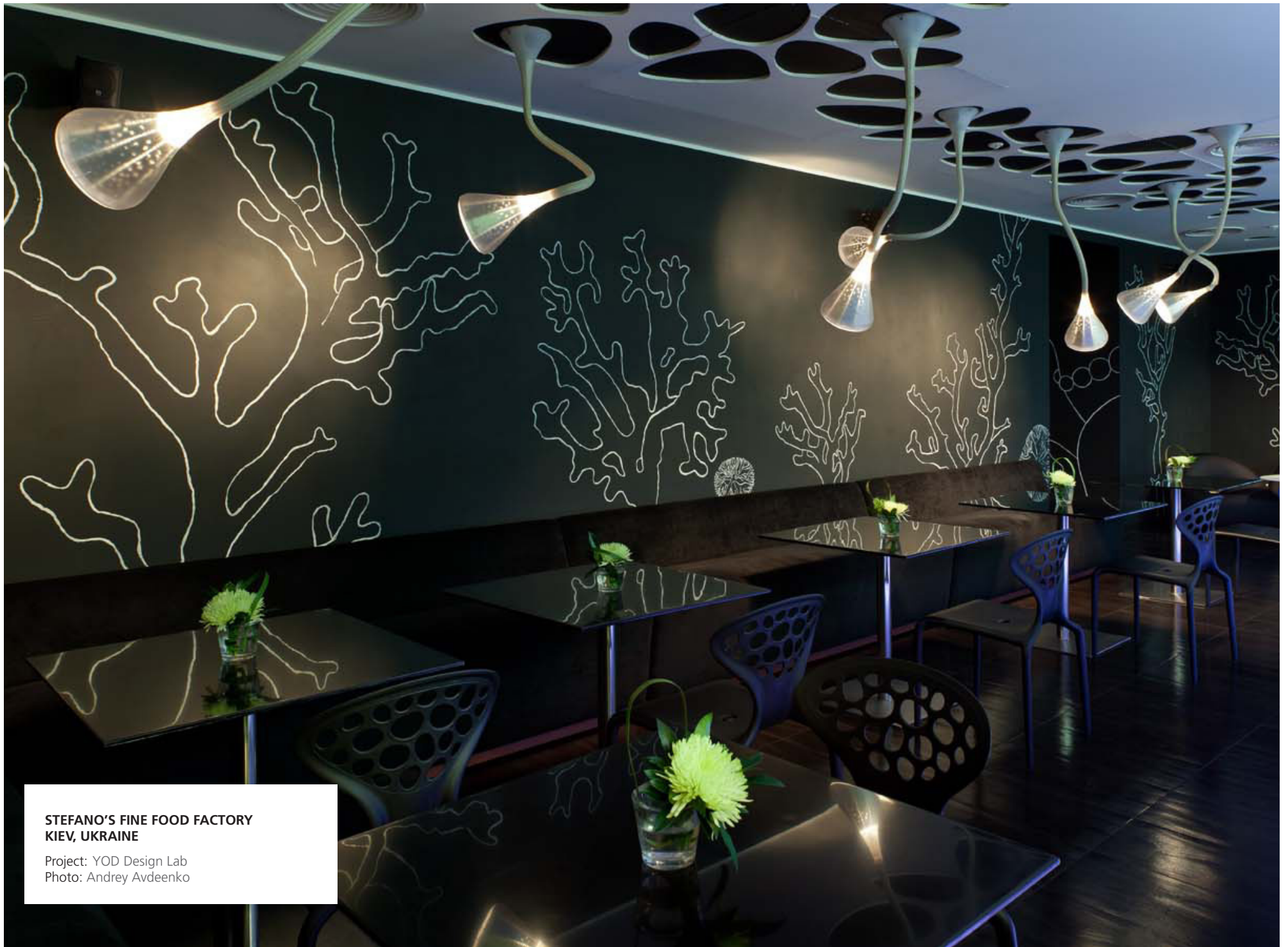
**HELKIES HOTEL,
CHALKIDIKI, GREECE**

Project: Sparch/Sakellaridou - Papanikolaou
Photo: Pappas Kostas



**LABAN CENTRE,
LONDON, UK**

Project: Herzog & De Meuron
Photo: Anthony Parkinson



**STEFANO'S FINE FOOD FACTORY
KIEV, UKRAINE**

Project: YOD Design Lab
Photo: Andrey Avdeenko

UNITED STATES HEADQUARTERS

Artemide Inc.

250 Karin Lane

Hicksville, NY 11801

T. 631-694-9292

Toll Free 1-877-Art-9111

email: infousa@artemide.net

CANADIAN HEAD OFFICE

Artemide Canada Ltd.

11105, rue Renaude Lapointe

Montréal, QC H1J 2T4

T. 514-323-6537

Toll Free 1-888-777-2783

email: infocanada@artemide.net

Artemide[®]

For retail sales contact information, please visit

www.artemide.net/store-locator

For contract sales contact information, please visit

www.artemide.net/sales-representative