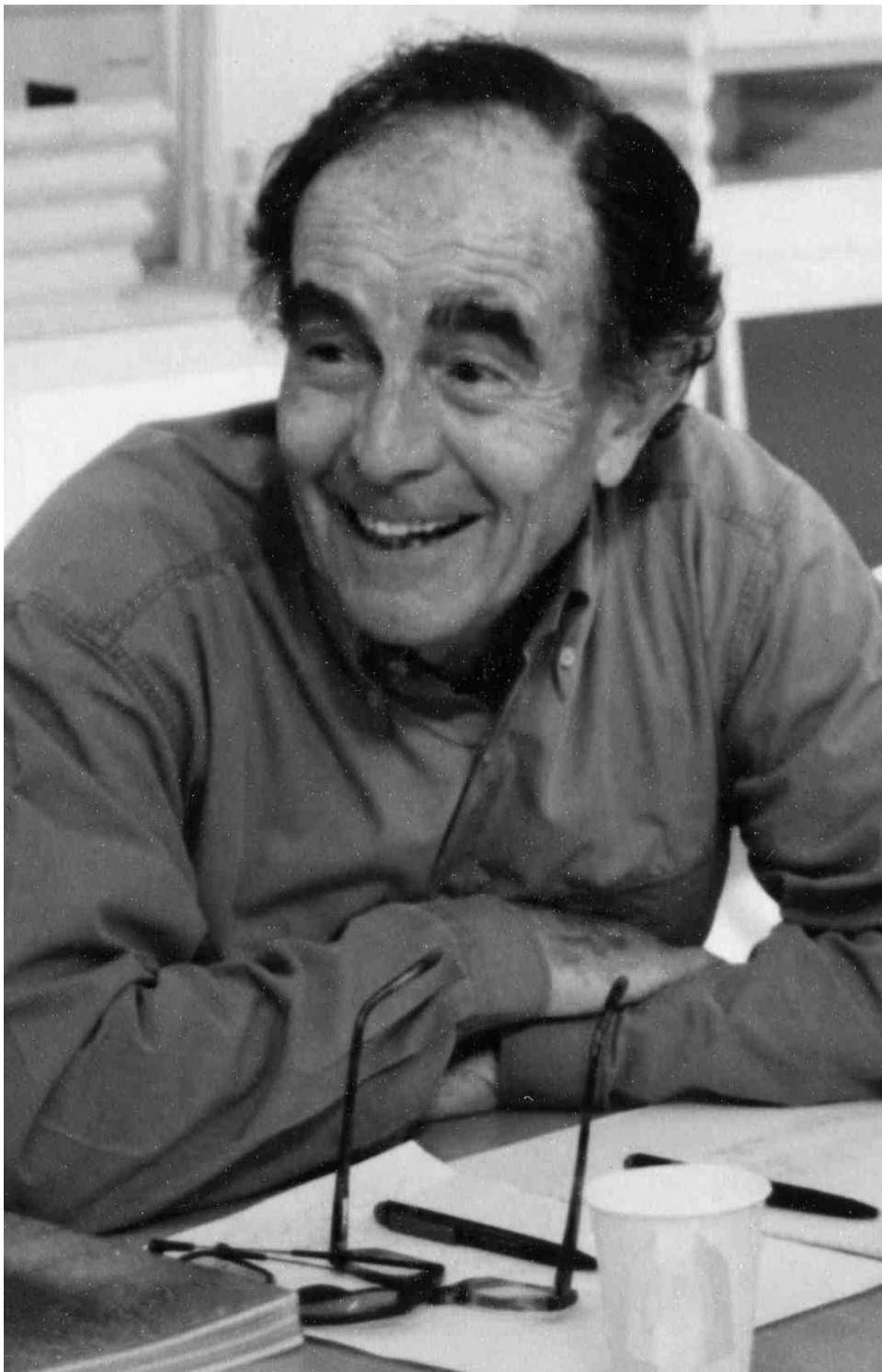


Teti
Vico Magistretti



VICO MAGISTRETTI

Best known for the 1967-designed Eclisse, Vico Magistretti was born in Italy in 1920. Trained as an architect, his lifelong passion was minimal, usable design which he implemented in large building projects as well as intimately-scaled fixtures and furnishings for noted companies such as Artemide, Flou and Kartell throughout his 60-year career.

RETRO

The year Vico Magistretti designed Teti, in 1970, defines this light fixture through its thermoplastic resin body and white finish, that exude a retro look and feel.





MODULAR

Suitable for wall or ceiling installations, when arranged in modular configurations or playful clusters, Teti's presence becomes remarkable, enhancing any modern space with its retro spirit.



AMBIANCE

To create the perfect ambiance and set the desired mood for any indoor space, Teti diffuses a soft light, that is enhanced when this fixture is configured in clusters.

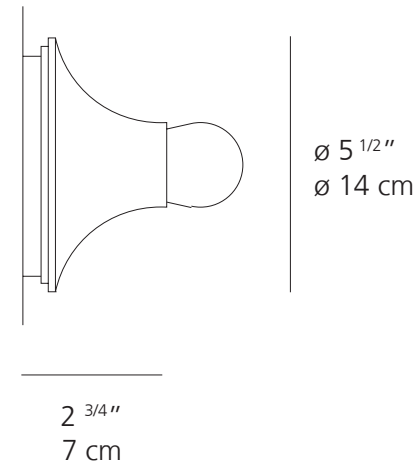




Teti Wall/Ceiling



Technical Data



MATERIALS	Thermoplastic resin. Possibility to create multiple configurations with multiple units.
EMISSION	Diffused
LIGHT SOURCE	LED, INC Max 40W E26/A19
DIMMING FEATURE	Dimmable
FINISH	○ White
CERTIFICATION	c.UL.us listed, ADA



UNITED STATES HEADQUARTERS

Artemide Inc.

250 Karin Lane

Hicksville, NY 11801

T. 631-694-9292

Toll Free 1-877-Art-9111

email: infousa@artemide.net

CANADIAN HEAD OFFICE

Artemide Canada Ltd.

11105, rue Renaude Lapointe

Montréal, QC H1J 2T4

T. 514-323-6537

Toll Free 1-888-777-2783

email: infocanada@artemide.net

Artemide[®]

For retail sales contact information, please visit

www.artemide.net/store-locator

For contract sales contact information, please visit

www.artemide.net/sales-representative