

# Ameluna suspension

1401018A

## SPECIFICATIONS



### Design By

Artemide  
Mercedes-Benz Style

### Collection

Design



### Specifications

Delivered lumens	2995lm
Light output ratio	65lm/W
Power consumption	46W
Led type	39.1W Array*
CCT (Correlated Color Temperature)	3000K
CRI (Color Rendering Index)	>90
Life expectancy	50000Hrs
Control type	Dimmable 2-Wire
Input Voltage	120V
Driver	ENEDO - 1 x RCL050-1050A

### Colors & Finishes

Transparent (Body)

### Materials

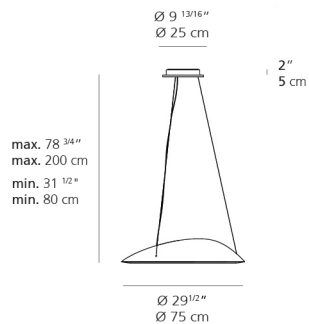
- Body in high transparency injection-molded PMMA
- Lower ring of body in PMMA with opaline finish

\*Integrated light source

### Features & Accessories

- Ameluna discloses an innovative optoelectronic system integrated in the transparent frame
- Heatsink is an extrusion that runs all around the body and hosts the LED strips
- Light reflected by thin PMMA element and then diffused by ring of opaline PMMA

### Dimensions



### Packaging

1 Box

1 x 17-1/4" x 17-1/4" x 23-11/16" / 15.34 lbs - 43.5 cm x 43.5 cm x 60 cm / 6.96 kg

### Light distribution

Direct

### Luminaire weight

6.55 lbs / 2.97 kg

### Warranty

5 year limited warranty

Red = Max Cd. Through Vertical plane

Blue = Max Cd. Through Horizontal plane