

Ipno suspension

1846038A

SPECIFICATIONS



Design By

Michele De Lucchi

Collection

Design



Specifications

Delivered lumens	1163lm
Light output ratio	45lm/W
Power consumption	26W
Led type	23W C.O.B.*
CCT (Correlated Color Temperature)	3000K
CRI (Color Rendering Index)	>90
Life expectancy	50000Hrs
Control type	Dimmable 2-Wire / Dimmable 0-10V
Input Voltage	120-277V
Driver	ENEDO - 1 x RCL030-0700B

Colors & Finishes

- Black (External Diffuser)
- Gold (Internal Diffuser)

Materials

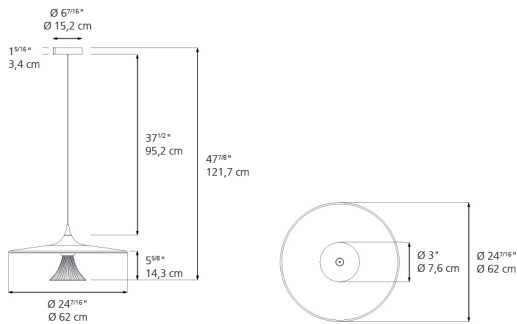
- Body in aluminum
- Reflector in PMMA
- Spiral patterns

*Integrated light source

Features & Accessories

- Driver is compatible to both 2-wire dimming and 0-10V dimming options

Dimensions



Packaging

1 Box

1 x 28" x 28" x 15-7/16" / 11.86 lbs - 71 cm x 71 cm x 39 cm / 5.38 kg

Light distribution

Diffused

Luminaire weight

6.75 lbs / 3.06 kg

Warranty

Red = Max Cd. Through Vertical plane

Blue = Max Cd. Through Horizontal plane