

# **BONALDO**

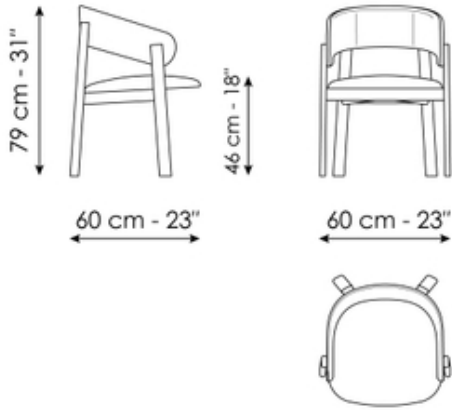
## Alpha

Designer: Gabriele & Oscar Buratti



The Alpha chair is defined by its backrest, an enveloping upholstered volume that tilts towards the seat, almost touching it. The asymmetry introduced by this inclination gives the design a distinctive, unconventional character, making Alpha suitable not only for dining environments but also for a variety of different settings, while maintaining a strong identity across diverse design solutions. The backrest extends along the side of the seat in a continuous line, also integrating the function of an armrest. The frame, with a rectangular section and softened edges, is made of solid wood, while the upholstery is available in fabric, leather or eco-leather.

# Fiche de données



## Alpha

Longueur: 60cm

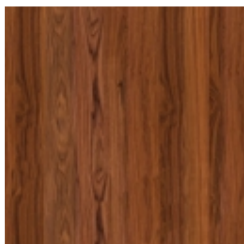
Profondeur: 60cm

Hauteur: 79cm

# Finishes

## Pieds

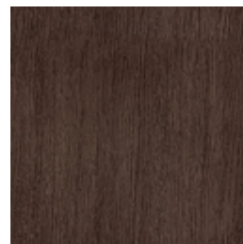
**Bois massif**  
Frêne charbon



**Bois massif**  
Noyer Américain



**Bois massif**  
Frêne Grey



**Bois massif**  
Frêne brown

---

Les matériaux, tissus, cuirs, couleurs et finitions sont approximatifs et peuvent légèrement différer de la réalité. Vous pouvez retrouver la collection complète des tissus et cuirs Bonaldo sur le site <https://bonaldo.biz>