

BONALDO

Amour

Designer: Fabrice Berrux



Conceived as a sculptural seat with generous proportions, the Amour armchair, designed by Fabrice Berrux for Bonaldo, embodies a vision in which design takes center stage: form, material, and function become true statements of intent.

Both enveloping and open, its design evokes a simple, universal gesture: welcome. Defined by continuous, soft, flowing lines, Amour expresses the idea of comfort through the language of design, transforming it into a visual and sensory experience.

The backrest opens like a protective shell, while the generously proportioned, slightly elongated seat invites natural, effortless relaxation. The absence of sharp angles reflects a deliberate design choice: every curve is carefully calibrated to achieve a harmonious balance between formal elegance and ergonomic well-being.

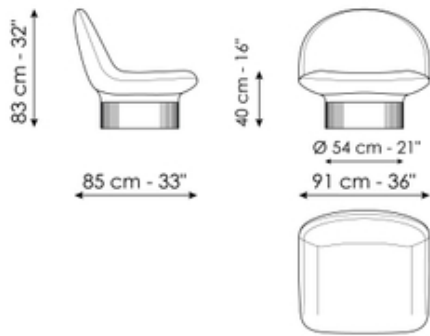
The compact cylindrical swivel base creates an architectural contrast with the soft, enveloping shell. This element grounds the armchair in the space, reinforcing its presence while preserving a sense of visual lightness. The volumes appear suspended, striking a refined balance between structure and fluid form.

Poised between a piece of furniture and a contemporary sculpture, the Amour armchair makes a striking visual statement. It does more than simply furnish a space: it interprets and defines it, engaging in an ongoing dialogue with its surroundings.

Amour embodies Bonaldo's vision of design as a cultural value and sensory experience.

To quote Fabrice Berrux: "I imagined it as a silent, complicit smile. Empty, it promises. Filled, it keeps its word. Amour, se vit."

Fiche de données



Amour

Longueur: 91cm

Profondeur: 85cm

Hauteur: 83cm

Finishes

Base pivotante



Métal verni
Gris tourterelle opaque

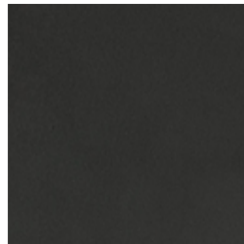
Métal verni
Noir opaque

Métal verni
Supreme anthracite

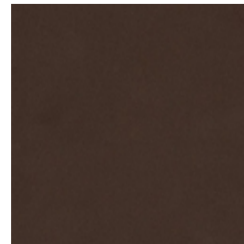
Métal verni
Blanc opaque



Métal verni
Or perlé opaque



Métal verni
Plomb opaque



Métal verni
Bronze opaque

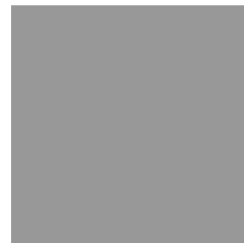
Métal verni
Laiton opaque



Métal Spécial
Dark nickel



Dark nickel
Brown nickel



Métal Spécial
Clouded chrome



Métal Spécial
Champagne nickel



Métal Spécial
Bright nickel