

# **BONALDO**

## Blocco Desk

Designer: Alain Gilles



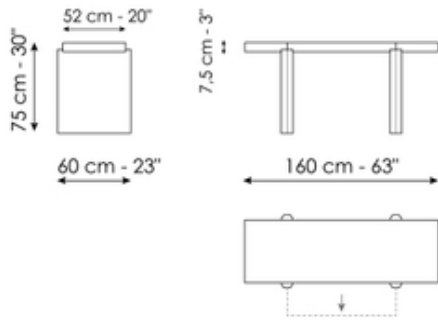
The Blocco collection, designed by Alain Gilles, is inspired by the idea of a large block of wood lifted and resting on two supports, almost like an archaeological artefact or a precious object to be highlighted and displayed.

The design stems from the contrast between two types of forms: on one side, a rigorous and minimal element defined by straight lines; on the other, softer yet substantial supports with rounded shapes. The legs, with their architectural presence, resemble pillars rather than simple supports.

Blocco desk appears as a strongly graphic and sculptural element, while remaining highly functional thanks to a hidden drawer that allows small items such as pens, notebooks, chargers, tablets or laptops to be stored discreetly. The drawer introduces a graphic detail that lightens the volume while preserving its monolithic appearance.

Blocco Desk, made of Canaletto walnut, is a versatile desk suitable for the whole family, whether for writing an email, studying or working from home.

# Fiche de données



## Blocco Desk

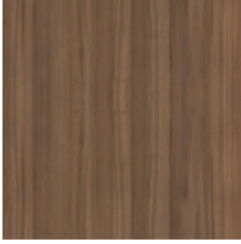
Longueur: 160cm

Profondeur: 60cm

Hauteur: 75cm

# Finishes

## Structure



**Bois plaqué**

Noyer Canaletto

---

Les matériaux, tissus, cuirs, couleurs et finitions sont approximatifs et peuvent légèrement différer de la réalité. Vous pouvez retrouver la collection complète des tissus et cuirs Bonaldo sur le site <https://bonaldo.biz>